

AVAILABLE FOR HIRE

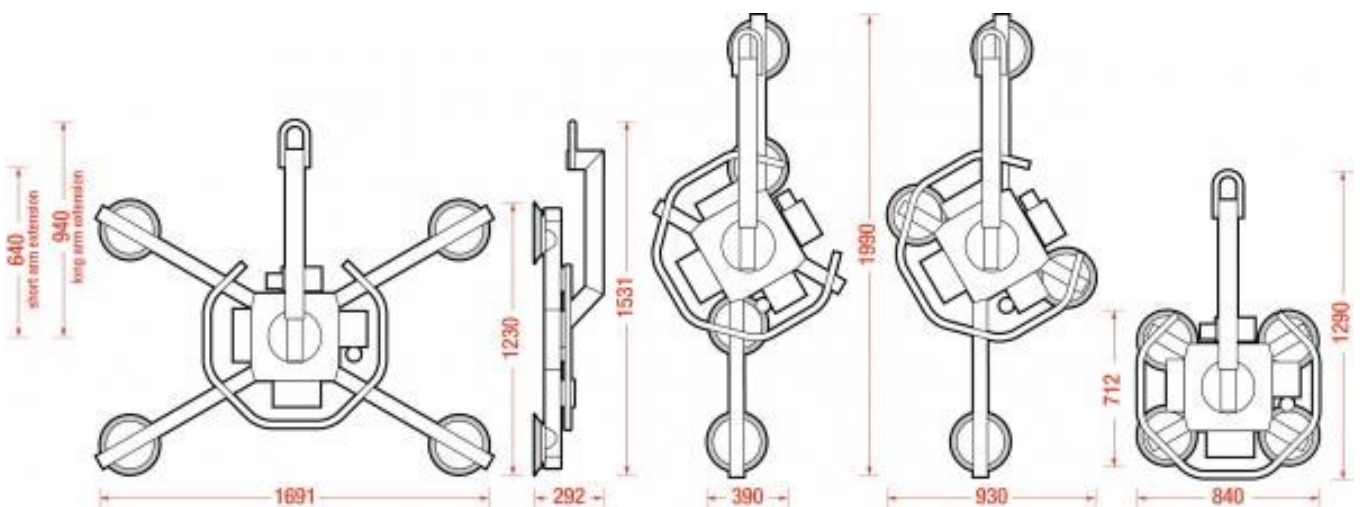


Use

The Wood's Powr-Grip MRT4 is a popular lifter with its multi position pad configuration. Providing an impressive 320kg lifting capacity, it's a great choice when lifting and installing glass.

Benefits

- Reduces heavy lifting for site personnel
- Minimises damage to expensive glass units
- Improves productivity by speeding up installation times
- Dual circuit machine to EN13155:200 requirements
- Hook mountable—For crane or forktruck with jib attachment
- Can also be used on metal and ceramics
- Lightweight and compact lifter
- Big 320 kg lifting capacity with 90 degree tilt and



PHONE 01299 824 333 FAX 01299 382 200

WEB. www.vacuumandcrane.co.uk E-MAIL. info@vacuumandcrane.co.uk

ACCREDITED TRAINING AVAILABLE ON THIS
MACHINE



Technical

Application	-	Glass, metal & non porous stone
No of pads	-	4 pads with 4 extension arms
Pad diameter	-	305 mm
Pad type	-	Standard black rubber
Suitable for	-	Flat, smooth and non-porous
Depth of lifter	-	233 mm
Tilt	-	90 degree manual
Rotation	-	360 degree manual rotation continuous
Power	-	1 x 12 V re-chargeable battery
Pumps	-	Single on-board 12v DC pump
Capacity	-	320 KG SWL Maximum
Weight	-	34 kg
Charging unit	-	110 volt charging unit
Safety devices	-	Audible and visual low vacuum



PHONE 01299 824 333 FAX 01299 382 200

WEB. www.vacuumandcrane.co.uk E-MAIL. info@vacuumandcrane.co.uk