

Use

AVAILABLE FOR HIRE

The KT-B is a hook mounted lifting accessory which is used for the lifting and installation of wall and roof panels. It is designed to lift sandwich panels for roofing, cladding and coldstore construction.

Benefits

- Reduces heavy lifting for site personnel
- Minimises damage to expensive composite sandwich panels
- Improves productivity by speeding up installation times
- Saves money by completing build programs quicker, thus reducing costs for plant hire and wages
- Dual circuit machine to EN13155:2003 requirements
- For lifting panels into wall or roof positions
- Hook mountable—For crane or forktruck with jib attachment
- Quick change battery packs for easy re-charge and longer working



Technical

Application	-	Vertical wall panels	-	16m max length
		Horizontal wall panels	-	10m max length
		Roof panels (standard frame)	-	6-8m max length
		Roof panels (with extensions)	-	12m max length
Panel width	-	From 600mm to 2000mm wide		
Panel thickness	-	From 60 to 250mm		
Panel core	-	Pu, Pir or Rockwool core type panels can be lifted		
Panel profiles	-	Flat, Euro rib, micro rib, trapezoidal and most profiles available		
Pad types	-	Round and oval to fit most panel types		
Pad seal	-	Sealing rings available for most profiles—The right seal helps get quicker suction		
Operating time	-	8-10 hours between re-charge depending on panel type and pad seal condition		
Power	-	2 x 12 V 12 amp re-chargeable batteries on-board		
Pumps	-	Twin 24v DC Diaphragm pumps		
Capacity	-	400 KG SWL Maximum		
Weight	-	110—230 KG depending on lifting arms and extensions		
Pads	-	250mm round or 100mm ovals (8 or 12 pads fitted to frame dependant on load)		
Control	-	Electronic control panel on frame		
Charging unit	-	110 volt charging unit		
Safety devices	-	Audible and visual low vacuum warning devices		
Options	-	Quick change battery pack, roof panel extensions, 2m wide panel adapters		

PHONE 01299 824 333 FAX 01299 382 200

WEB. www.vacuumandcrane.co.uk E-MAIL. info@vacuumandcrane.co.uk

Lifting Capability

Please refer to the table below for the safe working load for the KT-B depending on configuration

Pad Shape and quantity	SWL according to angle of KT-B	SWL according to angle of KT-B
	Flat (0 degrees) to 10 degrees	10 degrees to vertical (90 degrees)
Fitted with 8 round pads (250mm diameter)	350 KG	250 KG
Fitted with 12 round pads (250mm diameter)	400 KG	400KG
Fitted with 8 oval pads (100mm x 320mm)	200 KG	130KG
Fitted with 12 oval pads (100mm x 320mm)	300 KG	200 KG

Dimensions of KT-B

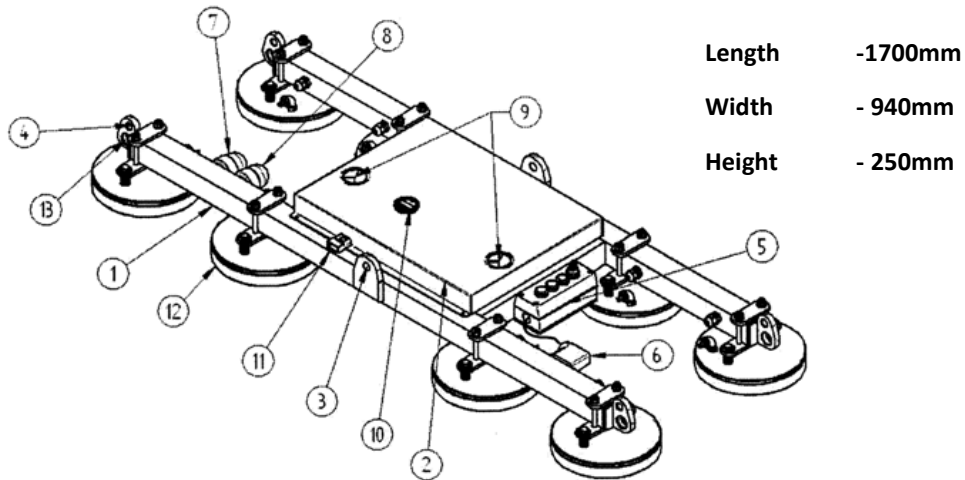


Fig. 1: Design of the OKTOPUS® KT-B

- | | |
|--------------------------------|----------------------------|
| 1 Base frame | 8 Green signal light |
| 2 Housing cover | 9 Vacuum gauge |
| 3 Fixing eyelet | 10 Charge indicator |
| 4 Eyelet for lashing | 11 Battery socket |
| 5 Control panel | 12 Suction cup |
| 6 Connector plug control panel | 13 Eyelet for safety belts |
| 7 Red warning light | |