

Woods MRTA6 Glass Lifter - 500kg

AVAILABLE FOR HIRE



The Woods Powr-Grip MRTA6 Vacuum Lifter has a 'Quadra-Tilt' system which sustains the load position automatically when tilting between horizontal and vertical positions without having to use latches. The MRT6 is a very flexible and popular mid-range Vacuum Lifter from Vacuum and Crane.

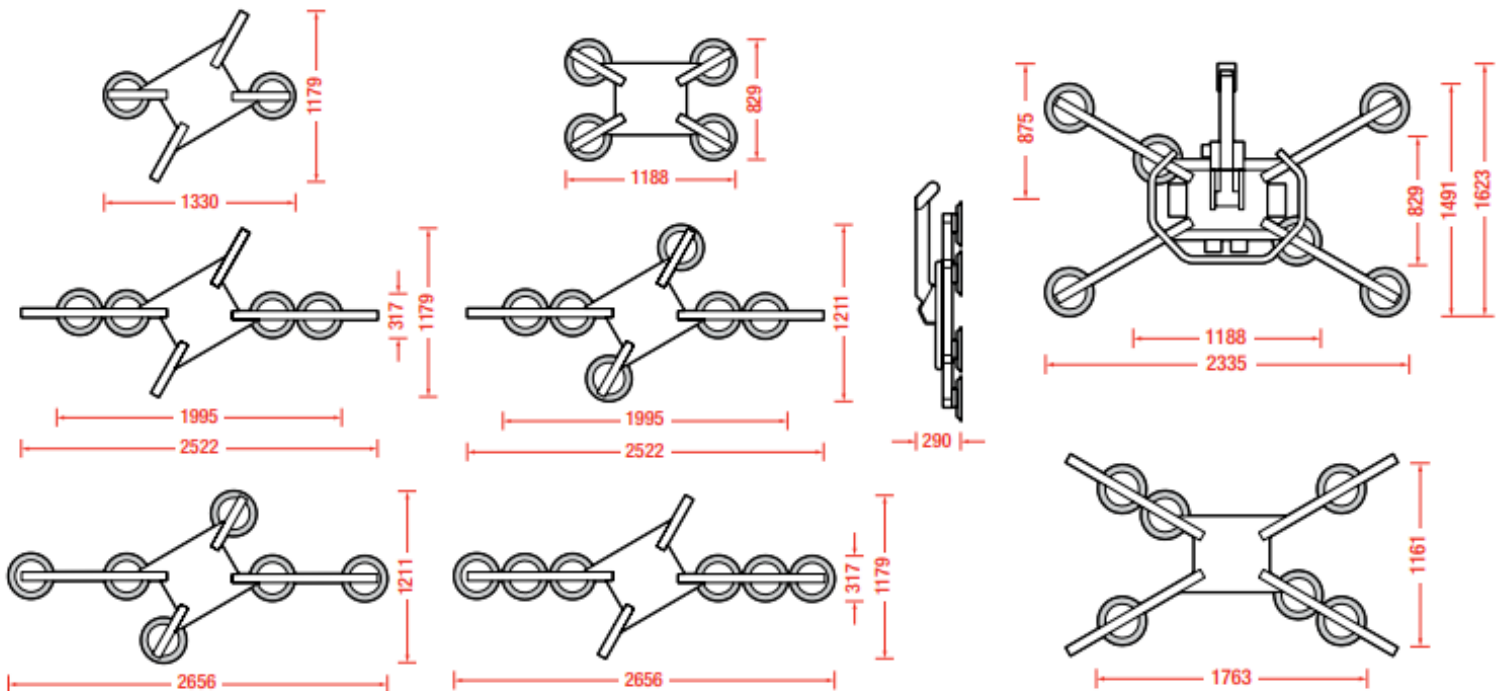
As well as a capacity of 500Kg, this flexible lifter comes with movable pad mounts and extension arms to create 8 different configurations for varying panel lengths and shapes. View the technical information below.

Performance:

Lifting Capacity - 500kg

Gross Weight - 86kg

Technical Data (mm)



AVAILABLE FOR HIRE

Number of suction cups	Cups	6	4	2
Suction cup	Description:	Black rubber, not abrasion resistant, heat resistant up to 100°F		
Suction cup diameter	Diameter:	305mm		
Suitable for lifting	Material properties:	gastight / non-porous		
	Surface:	smooth		
	Example:	Glass, plastic boards, ceramic plates, sheet metals, coated boards		
Weight of lifter	Approx:	86kg	60kg	
Depth of lifter	Depth:	290mm		
Rotation	Rotation:	360° continuous lockable		
Tilt	Tilt:	90° mechanically assisted		
Vacuum system	Dual circuit:	1 pump, 2 vacuum reserve tanks		
Voltage	Pump:	12v DC from rechargeable battery		
	Battery charger:	110v/240v 50/60Hz single phase factory selectable		